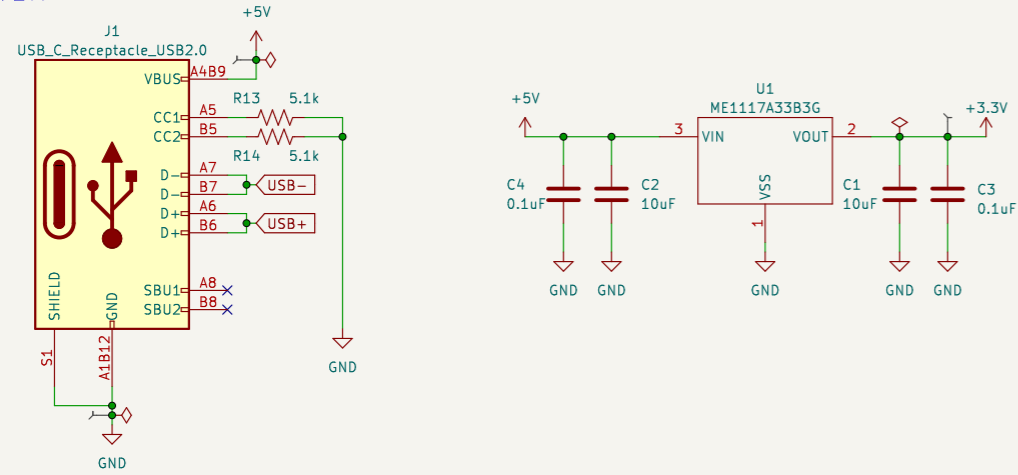
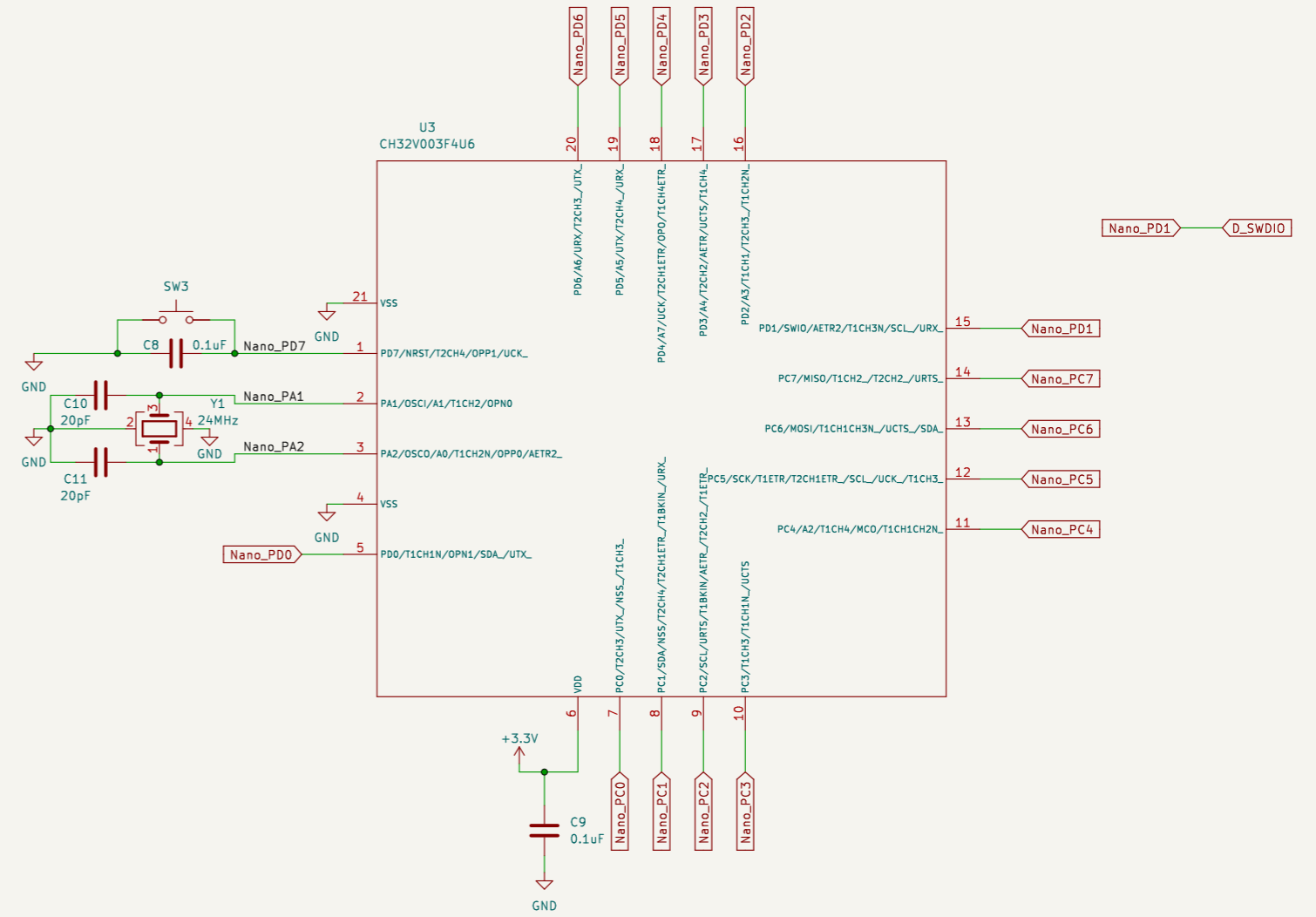


POWER

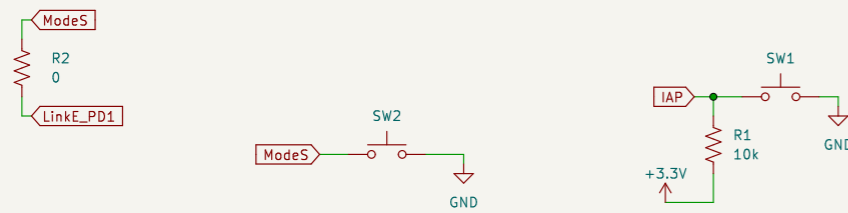
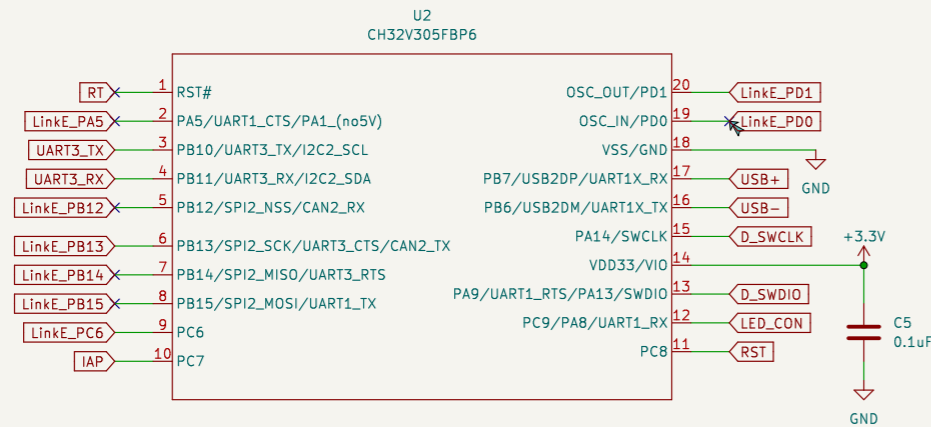


nanoCH32V003

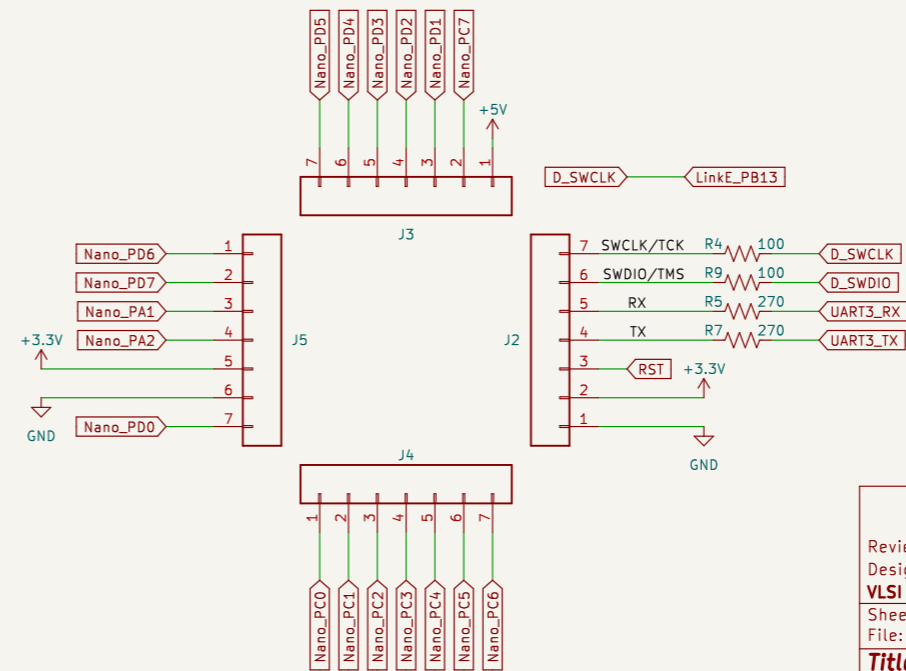


WCH-LinkE

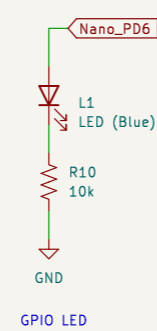
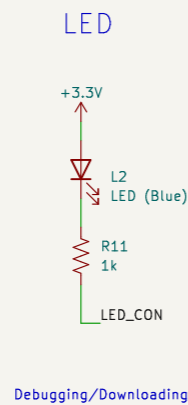
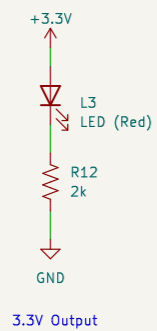
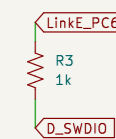
MCU



MCU HEADERS



Single Wire Debug



Reviewed By: Yatharth Agarwal
Designed By: Animesh Patil

VLSI System Design

Sheet:
File: SquadronMini_2A.kicad_sch

Title: CH32V003 Development Board

Size: A3 Date: 2023-12-17
KiCad E.D.A. eeschema 7.0.1

Rev: V3
Id: 1/1